



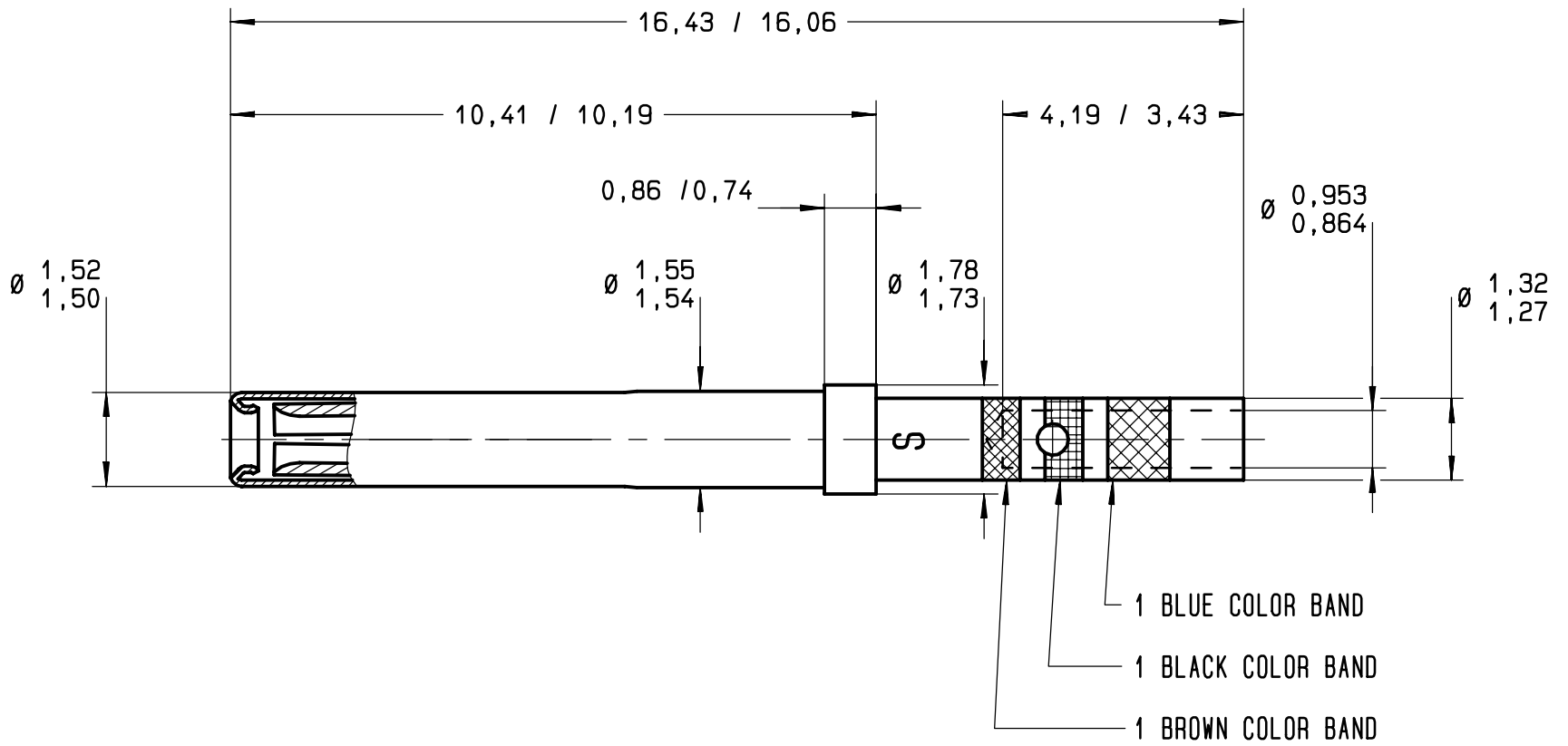
Series
TCX

SIZE 22 CRIMP REMOVABLE SOCKET CONTACT

JN1123 CS 22

Issue:
28 JUNE 2001

Page
1 / 1



MATERIAL :
BODY CONTACT : BERYLLIUM COPPER ALLOY 1/2 HARD
PROTECTIVE SLEEVE : STAINLESS STEEL PER AISI 305

FINISH :
CONTACT BODY : PLATING .00005 INCH OF GOLD PER MIL-G-45204 TYPE I OR II GRADE C OR D
CLASS 1 OVER NICKEL PER QQ-N-290
PROTECTIVE SLEEVE : PASSIVATED PER QQ-P-35

WIRES ACCOMODATED : AWG 22-24-26
INSULATOR DIAMETER : 1,40 MAX
STRIP LENGTH : 3,50

TOOLING
CRIMPING TOOL : M22520/2-01 RADIALL 282 281
SELECTOR POSITION : 4 FOR AWG 22
3 FOR AWG 24
3 FOR AWG 26

POSITIONER : M22520/2-23 RADIALL 282 970
INSERTION AND EXTRACTION TOOL : M81969/1-01 RADIALL 282 885
SPL RADIALL INS. 282 880 / EXT. 282 890

This information is given as an indication. In the continual goal to improve our products, we reserve the right to make any modifications judged necessary.

4112-9311

CREATION				
PEN: .				
NOM: VALGRESY				
DATE: 28 JUNE 2001				
APPR.:	Issue	Revisions	Name	Approved